

BIFOLD

Fitting Instructions

HENDERSON

WATCH THE INSTALLATION VIDEO

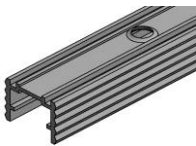
Visit: www.pchenderson.com/bifold-installation

Or scan the QR code using your phone

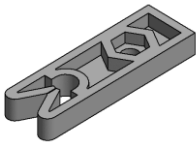


| KIT AND DOOR SPECIFICATION | | | | | |
|----------------------------|-------------|--------------|------------------|-----------------|----------------------|
| Kit Short Code | No of Doors | Track Length | Max. Door Height | Max. Door Width | Door Thickness Range |
| B10/2 | 2 | 1067mm | 2400mm | 610mm | 18 - 35mm |
| B15/4 | 4 | 1524mm | 2400mm | 610mm | 18 - 35mm |
| B20/4 | 4 | 2134mm | 2400mm | 610mm | 18 - 35mm |
| B25/4 | 4 | 3100mm | 2400mm | 610mm | 18 - 35mm |

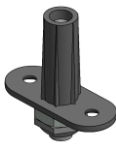
KIT CONTENTS - DEPENDING ON REQUIREMENTS



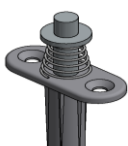
Track
2 Door: x 1
4 Door: x 2



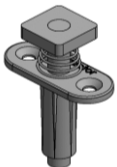
Top Pivot Socket
2 Door: x 1
4 Door: x 2




Bottom Pivot Body
2 Door: x 1
4 Door: x 2




Top Pivot Body
2 Door: x 1
4 Door: x 2




Guide
2 Door: x 1
4 Door: x 2



Bottom Pivot Plate
2 Door: x 1
4 Door: x 2




Butt Hinge
2 Door: x 3
4 Door: x 6



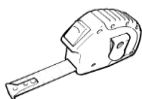
Aligner Pack
2 Door: x 0
4 Door: x 1

| Screw Pack Contents | Quantity |
|-------------------------|----------|
| Wood Screw CSK 3/4 x 6G | 4 |
| Thin Nut | 1 |
| Hex Screw | 1 |
| Top Pivot Clamp Plate | 1 |
| Bumper | 1 |
| Pan Head Screw | 2 |
| Wood Screw CSK 1 X 7G | 24 |

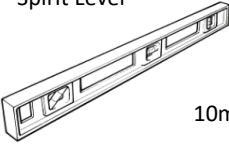
TOOLS REQUIRED



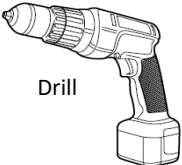
Posi
Screwdriver



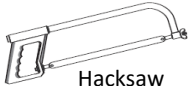
Tape
Measure




Spirit Level




Drill



Hacksaw

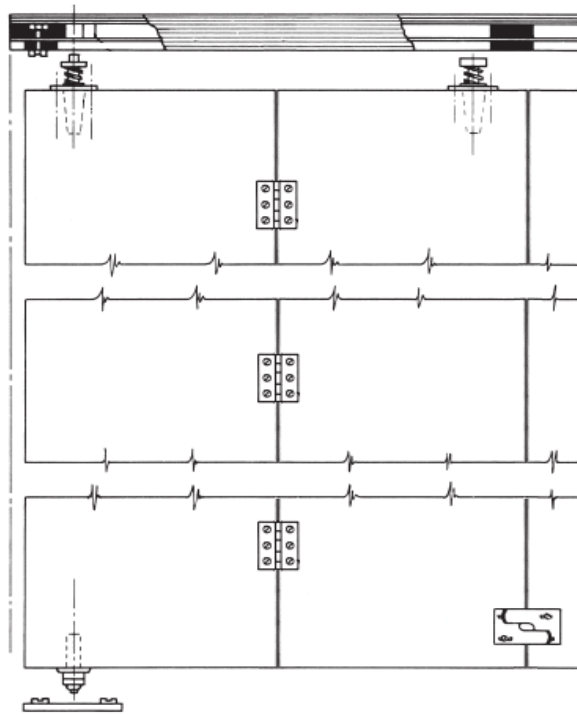
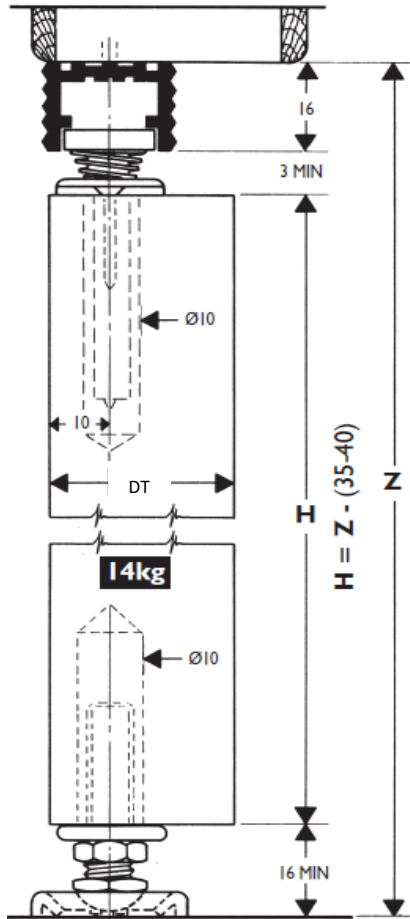


Spanner



10mm Drill Bit

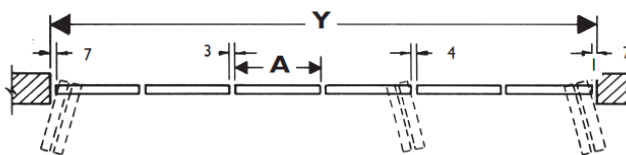
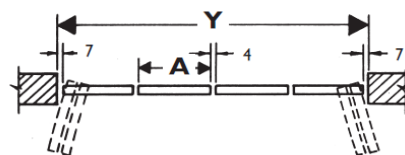
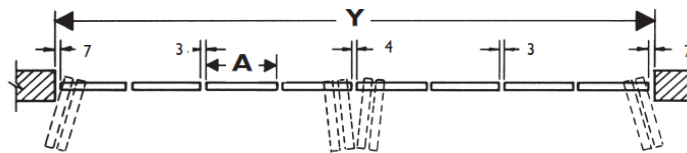
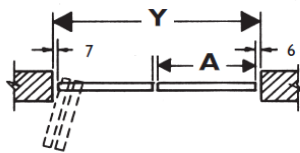
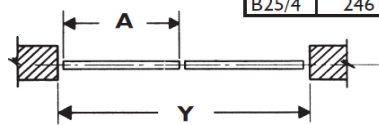
OVERVIEW



A = 610 Max.
DT = 18 - 35

| KIT | Y(MAX) |
|-------|--------|
| B10/2 | 1067 |
| B15/4 | 1525 |
| B20/4 | 2135 |
| B25/4 | 2461 |

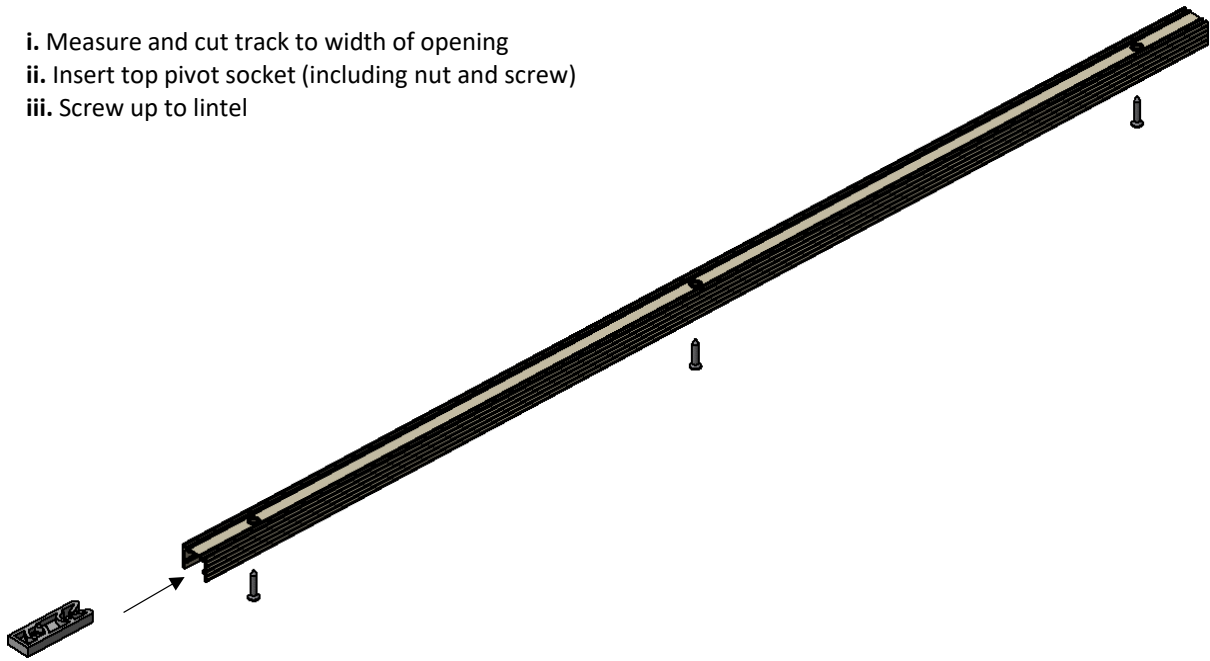
| Doors | A = Door Width |
|-------|------------------|
| 2 | $\frac{Y-14}{2}$ |
| 4 | $\frac{Y-20}{4}$ |
| 6 | $\frac{Y-24}{6}$ |
| 8 | $\frac{Y-28}{8}$ |



STEP BY STEP FITTING INSTRUCTIONS

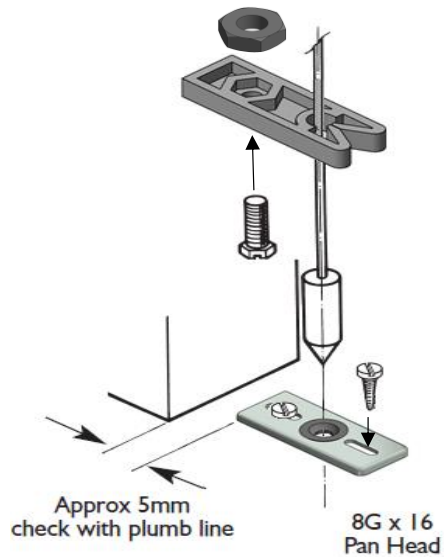
STEP 1: Prepare and fit track.

- i. Measure and cut track to width of opening
- ii. Insert top pivot socket (including nut and screw)
- iii. Screw up to lintel



STEP 2: Ensure guide is in-line with top pivot socket.

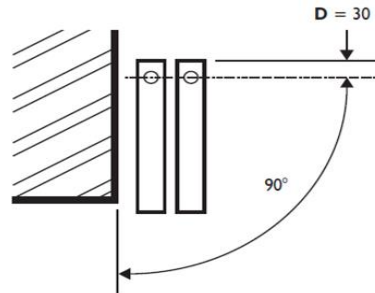
- i. Drop plumb line to get the centre of the guide plate so it is in-line with top pivot socket
- ii. Screw in place



STEP 3: Determine door layout.

Layout 1

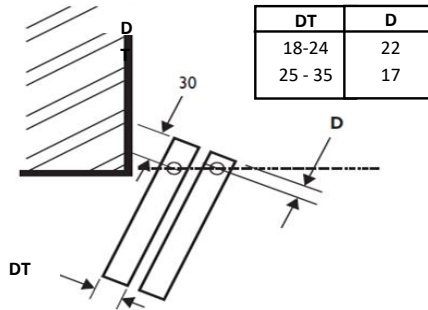
When the doors are required to stack perpendicular to the opening



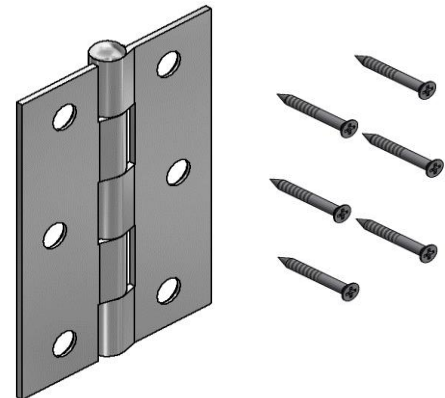
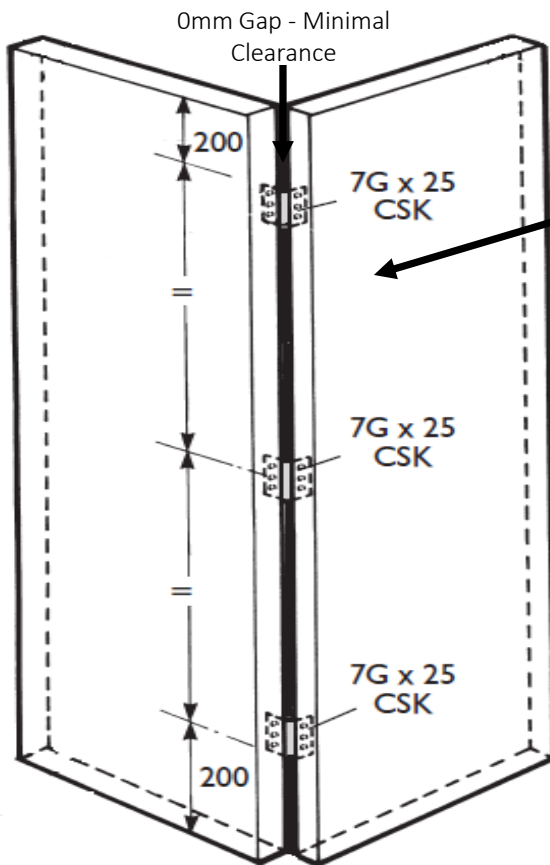
DT = Door thickness
D = Distance from edge of door

Layout 2

When the doors are required to stack at an angle to the opening, use the table to calculate the position of the sliding guide on the second door.

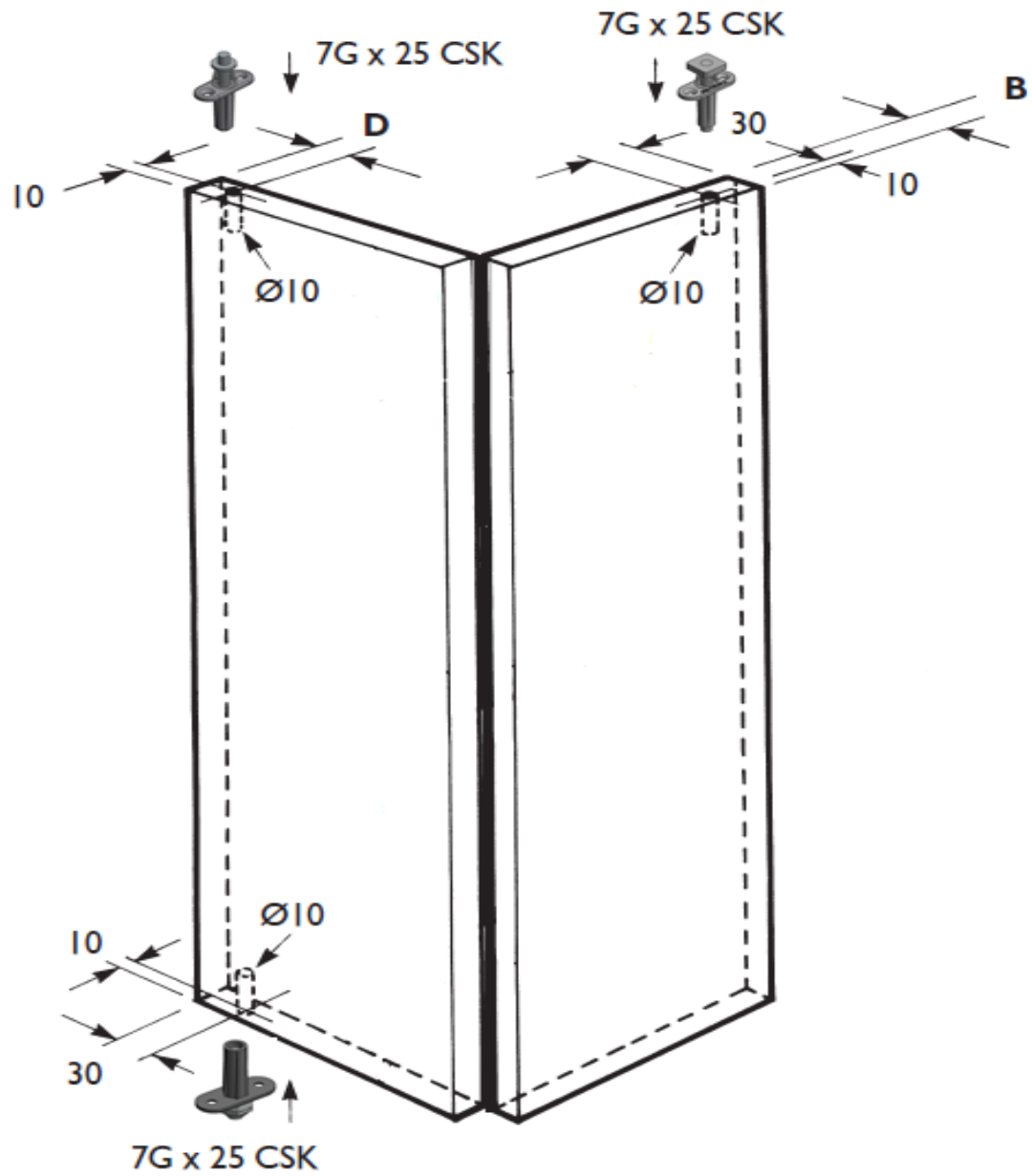


STEP 4: Affix butt hinges.



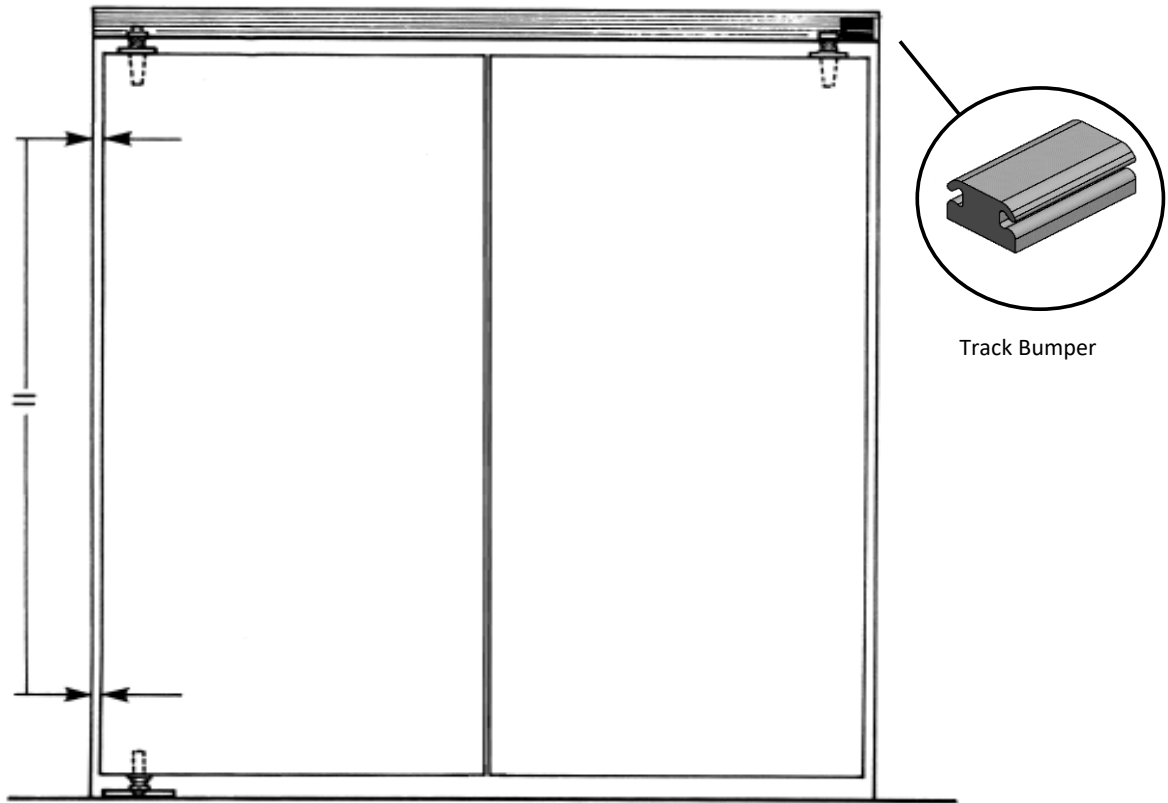
- i. Measure 200mm from top of door to identify where the top of the hinge should be affixed
- ii. Screw in
- iii. Measure 200mm from bottom of door to identify where the top of the bottom hinge should be affixed
- iv. Screw hinge to back face of doors
- v. Ensure the remaining hinge measures equal distance between the top and bottom hinges

STEP 5: Insert pivot bodies and guide.



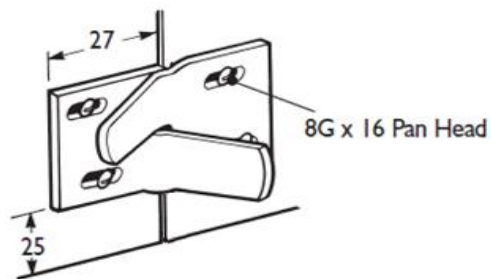
- i. With a drill and 10mm drill bit, using the measurements above, drill 10mm holes into the appropriate positions in the door.
- ii. Insert and screw top and bottom pivots and top guide in place

STEP 6: Hang doors



- i. Hang door by resting door on bottom pivot
- ii. Lift door set vertical and position top pivot under pivot socket in the track
- iii. Pull pivot spring down and release it into the pivot socket
- iv. Open pair of doors and pull down the slider and release into the bottom of the track
- v. Once doors fitted, insert track bumper into end of track

STEP 7: (4 door kits only) Affix aligner



Note:
This is not required
for the B10/2 Kit.

P C Henderson Ltd, Durham Road, Bowburn, Co. Durham, DH6 5NG, UK

UK Sales

t: +44 (0) 191 377 7345

e: sales@pchenderson.com

w: www.pchenderson.com

UK Registered Address: P C Henderson Ltd, Durham Road, Bowburn, Co. Durham, DH6 5NG

Republic of Ireland Registered Address: P C Henderson Ltd, Westlink Industrial Estate, Kylemore Road, Dublin 10, Ireland

Holland Registered Address: Henderson Nederland BV, Rootven 14, 5531 MB, Bladel

Export Sales

t: +44 (0) 191 377 7346

e: international@pchenderson.com

w: export.pchenderson.com

Part No. 300418

Issue 14

March 2020

